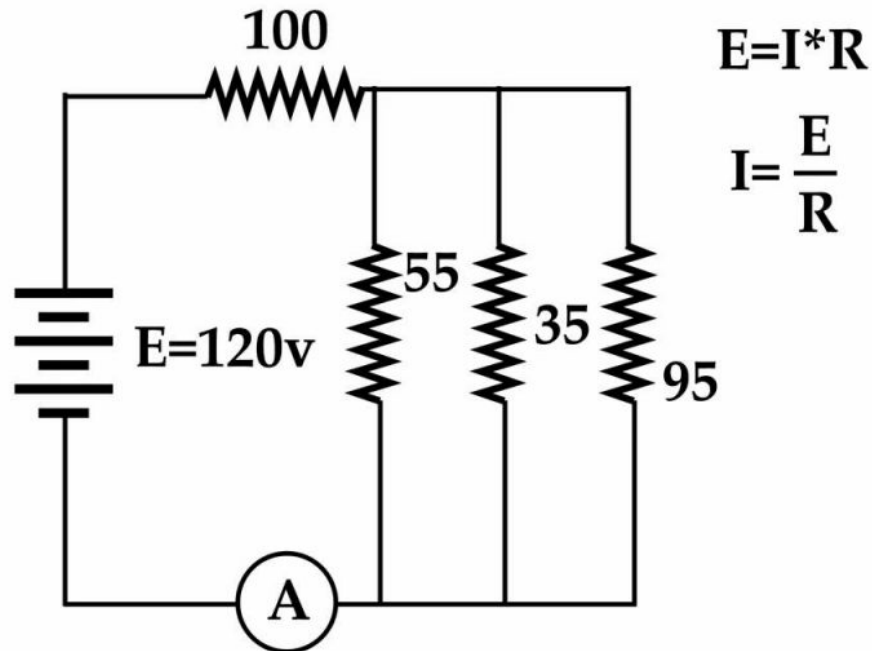


Using Volts and Ohms in Diagnosis (Podcast)



We look at voltage and resistance, specifically using a voltmeter and an ohmmeter for diagnosis as well as a discussion of voltage drop.

If you have an iPhone subscribe to the podcast [HERE](#) and if you have an Android phone subscribe [HERE](#).